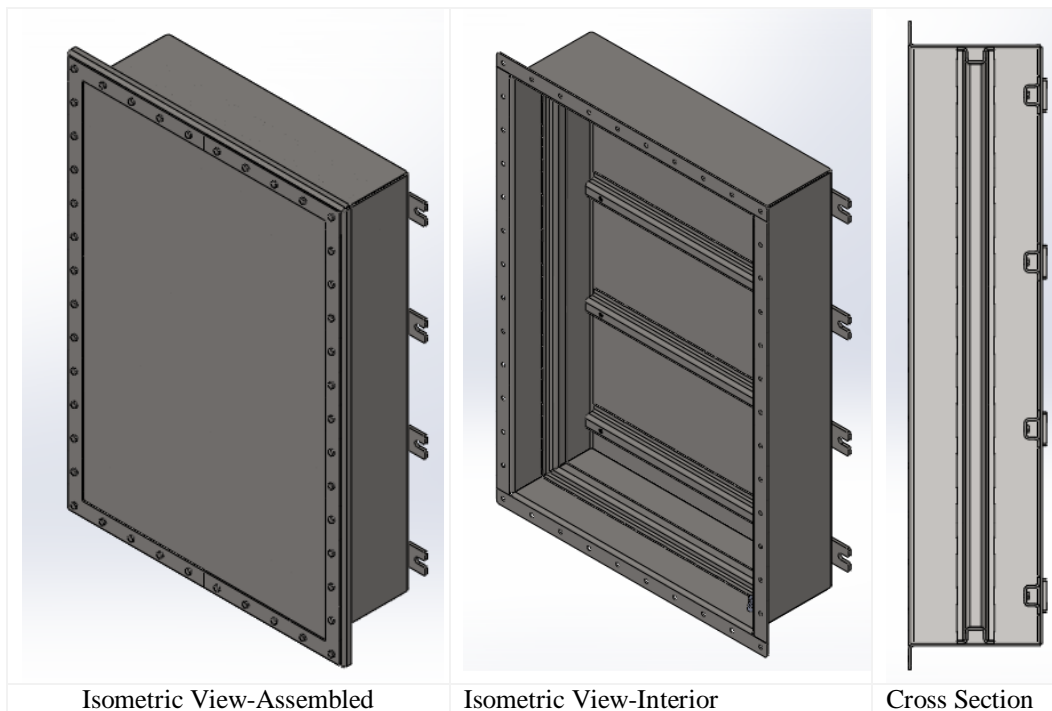


AMPHIBIAN ENCLOSURES BY SPARTON TECHNOLOGY CORPORATION

Typical Uses: Water Treatment Plants, Nuclear Plants, Flood Zones



Custom Enclosure Projects

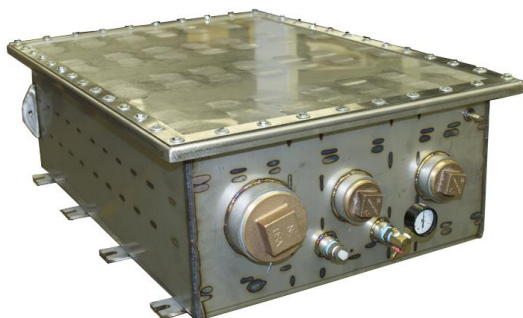


Standard Amphibian NEMA 6P Enclosures					
Model Number	Interior	Std Material	Back	UL	Lead Time
AES-121211-xxx	10x10x9	304 SST	Optional	Yes	6 Weeks
AES-121811-xxx	10x18x9	304 SST	Optional	Yes	6 Weeks
AES-181811-xxx	16x16x9	304 SST	Optional	Yes	6 Weeks
AES-242411-xxx	22x22x9	304 SST	Optional	Yes	6 Weeks
AES-243612-xxx	20x32x8	304 SST	Optional	Yes	8-10 Weeks
AES-374218-xxx	23x38x10	304 SST	Optional	No	8-10 Weeks
AES-364814-xxx	32x44x10	304 SST	Optional	No	8-10 Weeks
AES-276014-xxx	23x54x10	316 SST	Optional	No	10 Weeks
AES-517520-xxx	47x71x16	316 SST	Optional	No	10 Weeks

Standard Ports Available

These are half couplings welded onto the enclosure faces. The standard method configuration is to put all of these on one end face of the enclosure. These are also called hubs, and they are used to make sealed connections into the enclosure, using rigid conduit with NPT threads and sealing paste.

1/2"	3/4"	1-1/2"	2"	2-1/2"	4"
WARNING: ALL COMPONENTS PENETRATING THE ENCLOSURE MUST BE RATED AT NEMA 6P OR EQUIVALENT TO MAINTAIN ENCLOSURES RATING					



Our Amphibian enclosures are designed to meet the harsh NEMA 6P standards required to withstand prolonged submersion in floodwaters. Each enclosure is fully tested under positive air pressure at 5 PSI for 24 hours. The enclosure being tested in the image at left is a 24x36x12 model constructed of 0.135" thick 316 stainless steel customized

with end ports. This particular enclosure is UL listed, and this picture was taken before the powder coating. Our UL Listed sizes range from 12x12x11 up to 24x36x12. Models outside this range are only available with factory certifications.

Please email us at scottb@sparton.biz or call us at 603.880.3692 for a quote.